

6.5 T3000-3000/-4000 RF PCB

T3000-3000/-4000 Parts List (IPN 220-01233-03)

Parts List Amendments

R138, R139, R145 & R146: Changed from 1% to 0.5% resistors to improve spread in power tuning results (13/12/96)
 Screw IPN 345-00080-00: Replaced by M2x9.4mm Pan Pozi (IPN 345-00010-11) & M2 shakeproof washer (IPN 353-00010-02) (10/2/97)
 R350: Changed from 560kΩ to 330kΩ to improve squelch performance (14/5/97)

Ref	Var	IPN	Description	Ref	Var	IPN	Description
C101		018-14100-00	CAP 0603 CHIP 1N 50V X7R +10%	C211		018-15100-00	CAP 0603 CHIP 10N 50V X7R +10%
C102		015-25470-08	CAP CER 0805 CHIP 47N 10% X7R 50V	C212		018-15100-00	CAP 0603 CHIP 10N 50V X7R +10%
C103		015-25470-08	CAP CER 0805 CHIP 47N 10% X7R 50V	C213		018-15100-00	CAP 0603 CHIP 10N 50V X7R +10%
C104		014-07470-00	CAP TANT CHIP 4U7 3.5 X 2.8MM 267 SERIES	C214		018-15100-00	CAP 0603 CHIP 10N 50V X7R +10%
C105		014-07470-00	CAP TANT CHIP 4U7 3.5 X 2.8MM 267 SERIES	C215		014-07470-00	CAP TANT CHIP 4U7 3.5 X 2.8MM 267 SERIES
C106		018-15100-00	CAP 0603 CHIP 10N 50V X7R +10%	C216		018-15100-00	CAP 0603 CHIP 10N 50V X7R +10%
C109		018-15100-00	CAP 0603 CHIP 10N 50V X7R +10%	C217		018-15100-00	CAP 0603 CHIP 10N 50V X7R +10%
C110		018-13150-00	CAP 0603 CHIP 150P 50V NPO +5%	C218		015-06150-08	CAP CER 1206 CHIP 150N 10% X7R 25VW 25V
C111		015-24100-08	CAP CER 0805 CHIP 1N 10% X7R 50V	C219		015-06150-08	CAP CER 1206 CHIP 150N 10% X7R 25VW 25V
C112		018-15100-00	CAP 0603 CHIP 10N 50V X7R +10%	C220		018-15100-00	CAP 0603 CHIP 10N 50V X7R +10%
C113		018-15100-00	CAP 0603 CHIP 10N 50V X7R +10%	C221		014-06470-00	CAP TANT CHIP 470N 25V +20% 6X3.2X2.5MM
*C115	31XX	015-22150-20	CAP CER 0805 CHIP 15P +5% 200V NPO	C222		014-06470-00	CAP TANT CHIP 470N 25V +20% 6X3.2X2.5MM
*C115	32XX	015-22150-20	CAP CER 0805 CHIP 15P +5% 200V NPO	C223		015-24100-08	CAP CER 0805 CHIP 1N 10% X7R 50V
*C115	41XX	015-22120-20	CAP CER 0805 CHIP 12P +5% 200V NPO	C224		015-06150-08	CAP CER 1206 CHIP 150N 10% X7R 25VW 25V
*C115	42XX	015-22120-20	CAP CER 0805 CHIP 12P +5% 200V NPO	C226		015-06150-08	CAP CER 1206 CHIP 150N 10% X7R 25VW 25V
C120		015-24100-08	CAP CER 0805 CHIP 1N 10% X7R 50V	C229		018-14100-00	CAP 0603 CHIP 1N 50V X7R +10%
*C121	31XX	015-22150-20	CAP CER 0805 CHIP 15P +5% 200V NPO	C230		015-25470-08	CAP CER 0805 CHIP 47N 10% X7R 50V
*C121	32XX	015-22150-20	CAP CER 0805 CHIP 15P +5% 200V NPO	C231		014-07470-00	CAP TANT CHIP 4U7 3.5 X 2.8MM 267 SERIES
*C121	41XX	015-22120-20	CAP CER 0805 CHIP 12P +5% 200V NPO	C232		018-15100-00	CAP 0603 CHIP 10N 50V X7R +10%
*C121	42XX	015-22120-20	CAP CER 0805 CHIP 12P +5% 200V NPO	C238		014-07470-00	CAP TANT CHIP 4U7 3.5 X 2.8MM 267 SERIES
*C122	31XX	015-22120-20	CAP CER 0805 CHIP 12P +5% 200V NPO	C300		018-15100-00	CAP 0603 CHIP 10N 50V X7R +10%
*C122	32XX	015-22120-20	CAP CER 0805 CHIP 12P +5% 200V NPO	CD301		276-00010-63	DISCRIMINATOR CER 455KHZ CDB455C16
*C122	41XX	015-21680-20	CAP CER 0805 CHIP 6P8 +0P25 200V NP	#CF301	XX1X	276-00010-66	FLTR CER 455KHZ 20KHZ B/W CFV455D
*C122	42XX	015-21680-20	CAP CER 0805 CHIP 6P8 +0P25 200V NP	#CF301	XX2X	276-00010-67	FLTR CER 455KHZ 8KHZ B/W CFV455G
*C123	31XX	015-22150-20	CAP CER 0805 CHIP 15P +5% 200V NPO	#CF301	XX3X	276-00010-72	FLTR CER 455KHZ 16KHZ B/W CFV455E
*C123	32XX	015-22150-20	CAP CER 0805 CHIP 15P +5% 200V NPO	*C301	31XX	018-12120-00	CAP 0603 CHIP 12P 50V NPO +5%
*C123	41XX	015-22150-20	CAP CER 0805 CHIP 15P +5% 200V NPO	*C301	32XX	018-12180-00	CAP 0603 CHIP 18P 50V NPO +5%
*C123	42XX	015-22150-20	CAP CER 0805 CHIP 15P +5% 200V NPO	*C301	41XX	018-12180-00	CAP 0603 CHIP 18P 50V NPO +5%
*C124	31XX	015-22150-20	CAP CER 0805 CHIP 15P +5% 200V NPO	*C301	42XX	018-12180-00	CAP 0603 CHIP 18P 50V NPO +5%
*C124	32XX	015-22150-20	CAP CER 0805 CHIP 15P +5% 200V NPO	*C302	31XX	018-11820-00	CAP 0603 CHIP 8P2 50V NPO +0.25P
*C124	41XX	015-22150-20	CAP CER 0805 CHIP 15P +5% 200V NPO	*C302	32XX	018-12150-00	CAP 0603 CHIP 15P 50V NPO +5&
*C124	42XX	015-22150-20	CAP CER 0805 CHIP 15P +5% 200V NPO	*C302	41XX	018-12180-00	CAP 0603 CHIP 18P 50V NPO +5%
*C125	31XX	015-21560-20	CAP CER 0805 CHIP 5P6 +0P25 200V NP	*C302	42XX	018-12180-00	CAP 0603 CHIP 18P 50V NPO +5%
*C125	32XX	015-21820-20	CAP CER 0805 CHIP 8P2 +0P25 200V NP	*C303	31XX	018-14100-00	CAP 0603 CHIP 1N 50V X7R +10%
*C125	41XX	015-21330-20	CAP CER 0805 CHIP 3P3 +0P25 200V NP	*C303	32XX	018-14100-00	CAP 0603 CHIP 1N 50V X7R +10%
*C125	42XX	015-21270-20	CAP CER 0805 CHIP 2P7 +0P25 200V NP	*C303	41XX	018-13150-00	CAP 0603 CHIP 150P 50V NPO +5%
*C126	31XX	015-22120-20	CAP CER 0805 CHIP 12P +5% 200V NPO	*C303	42XX	018-13150-00	CAP 0603 CHIP 150P 50V NPO +5%
*C126	32XX	015-22120-20	CAP CER 0805 CHIP 12P +5% 200V NPO	*C304	31XX	018-12120-00	CAP 0603 CHIP 12P 50V NPO +5%
*C126	41XX	015-21680-20	CAP CER 0805 CHIP 6P8 +0P25 200V NP	*C304	32XX	018-12180-00	CAP 0603 CHIP 18P 50V NPO +5%
*C126	42XX	015-21680-20	CAP CER 0805 CHIP 6P8 +0P25 200V NP	*C304	41XX	018-12180-00	CAP 0603 CHIP 18P 50V NPO +5%
*C127	31XX	015-22150-20	CAP CER 0805 CHIP 15P +5% 200V NPO	*C304	42XX	018-12180-00	CAP 0603 CHIP 18P 50V NPO +5%
*C127	32XX	015-22150-20	CAP CER 0805 CHIP 15P +5% 200V NPO	*C305	31XX	018-11330-00	CAP 0603 CHIP 3P3 50V +0.25P
*C127	41XX	015-22120-20	CAP CER 0805 CHIP 12P +5% 200V NPO	*C305	32XX	018-11180-00	CAP 0603 CHIP 1P8 50V NPO +0.25P
*C127	42XX	015-22120-20	CAP CER 0805 CHIP 12P +5% 200V NPO	*C305	41XX	018-11270-00	CAP 0603 CHIP 2P7 50V NPO +0.25P
*C131	31XX	018-13100-00	CAP 0603 CHIP 100P 50V NPO +5%	*C305	42XX	018-11270-00	CAP 0603 CHIP 2P7 50V NPO +0.25P
*C131	32XX	018-13100-00	CAP 0603 CHIP 100P 50V NPO +5%	C309		018-15100-00	CAP 0603 CHIP 10N 50V X7R +10%
*C131	41XX	018-12120-00	CAP 0603 CHIP 12P 50V NPO +5%	C310		018-15100-00	CAP 0603 CHIP 10N 50V X7R +10%
*C131	42XX	018-12120-00	CAP 0603 CHIP 12P 50V NPO +5%	C312		018-15100-00	CAP 0603 CHIP 10N 50V X7R +10%
*C132	31XX	018-12150-00	CAP 0603 CHIP 15P 50V NPO +5&	*C315	31XX	018-12100-00	CAP 0603 CHIP 10P 50V NPO +0.25P
*C132	32XX	018-12150-00	CAP 0603 CHIP 15P 50V NPO +5&	*C315	32XX	018-11820-00	CAP 0603 CHIP 8P2 50V NPO +0.25P
*C132	41XX	018-12120-00	CAP 0603 CHIP 12P 50V NPO +5%	*C315	41XX	018-12100-00	CAP 0603 CHIP 10P 50V NPO +0.25P
*C132	42XX	018-12120-00	CAP 0603 CHIP 12P 50V NPO +5%	*C315	42XX	018-12100-00	CAP 0603 CHIP 10P 50V NPO +0.25P
C135		018-14100-00	CAP 0603 CHIP 1N 50V X7R +10%	*C316	31XX	018-12150-00	CAP 0603 CHIP 15P 50V NPO +5&
C136		018-14100-00	CAP 0603 CHIP 1N 50V X7R +10%	*C316	32XX	018-12180-00	CAP 0603 CHIP 18P 50V NPO +5%
C138		018-14100-00	CAP 0603 CHIP 1N 50V X7R +10%	*C316	41XX	018-12220-00	CAP 0603 CHIP 22P 50V NPO +5%
C139		018-15100-00	CAP 0603 CHIP 10N 50V X7R +10%	*C316	42XX	018-12220-00	CAP 0603 CHIP 22P 50V NPO +5%
C201		018-14100-00	CAP 0603 CHIP 1N 50V X7R +10%	*C317	31XX	018-11680-00	CAP 0603 CHIP 6P8 50V NPO +0.25P
C202		018-11330-00	CAP 0603 CHIP 3P3 50V +0.25P	*C317	32XX	018-11680-00	CAP 0603 CHIP 6P8 50V NPO +0.25P
C203		018-15100-00	CAP 0603 CHIP 10N 50V X7R +10%	*C317	41XX	018-11470-00	CAP 0603 CHIP 4P7 50V NPO +0.25P
C204		018-12180-00	CAP 0603 CHIP 18P 50V NPO +5%	*C317	42XX	018-11470-00	CAP 0603 CHIP 4P7 50V NPO +0.25P
C205		015-22680-01	CAP CER 0805 CHIP 68P 5% NPO 50V	*C318	31XX	018-14100-00	CAP 0603 CHIP 1N 50V X7R +10%
C206		018-14100-00	CAP 0603 CHIP 1N 50V X7R +10%	*C318	32XX	018-14100-00	CAP 0603 CHIP 1N 50V X7R +10%
C209		015-22680-01	CAP CER 0805 CHIP 68P 5% NPO 50V	*C318	41XX	018-13150-00	CAP 0603 CHIP 150P 50V NPO +5%
C210		018-15100-00	CAP 0603 CHIP 10N 50V X7R +10%	*C318	42XX	018-13150-00	CAP 0603 CHIP 150P 50V NPO +5%

Ref	Var	IPN	Description	Ref	Var	IPN	Description
*C319	31XX	018-11330-00	CAP 0603 CHIP 3P3 50V +-0.25P	D102		001-10006-20	(S) DIODE SMD BRY62 TRIGGER SOT143
*C319	32XX	018-11330-00	CAP 0603 CHIP 3P3 50V +-0.25P	D103		001-10012-50	(S) DIODE SMD MA4P1250 PIN 3 X 2MM
*C319	41XX	018-11470-00	CAP 0603 CHIP 4P7 50V NPO +-0.25P	D104		001-10012-50	(S) DIODE SMD MA4P1250 PIN 3 X 2MM
*C319	42XX	018-11470-00	CAP 0603 CHIP 4P7 50V NPO +-0.25P	D201		001-10001-61	(S) DIODE SMD BAS16W HIGH SPED GEN PURPO
*C320	31XX	018-11330-00	CAP 0603 CHIP 3P3 50V +-0.25P	D202		001-10006-39	(S) DIODE SMD VARICAP BB639 SOD323
*C320	32XX	018-11180-00	CAP 0603 CHIP 1P8 50V NPO +-0.25P	D203		001-10006-39	(S) DIODE SMD VARICAP BB639 SOD323
*C320	41XX	018-11100-00	CAP 0603 CHIP 1P0 50V NPO +-0.25P	D204		001-10001-61	(S) DIODE SMD BAS16W HIGH SPED GEN PURPO
*C320	42XX	018-11100-00	CAP 0603 CHIP 1P0 50V NPO +-0.25P	D205		001-10001-61	(S) DIODE SMD BAS16W HIGH SPED GEN PURPO
C325		018-15100-00	CAP 0603 CHIP 10N 50V X7R +-10%	D206		001-10001-61	(S) DIODE SMD BAS16W HIGH SPED GEN PURPO
*C326	31XX	018-12150-00	CAP 0603 CHIP 15P 50V NPO +-5&	D207		001-10001-61	(S) DIODE SMD BAS16W HIGH SPED GEN PURPO
*C326	32XX	018-12180-00	CAP 0603 CHIP 18P 50V NPO +-5%	D301		001-10006-39	(S) DIODE SMD VARICAP BB639 SOD323
*C326	41XX	018-12220-00	CAP 0603 CHIP 22P 50V NPO +-5%	D302		001-10006-39	(S) DIODE SMD VARICAP BB639 SOD323
*C326	42XX	018-12220-00	CAP 0603 CHIP 22P 50V NPO +-5%	D303		001-10006-39	(S) DIODE SMD VARICAP BB639 SOD323
*C327	31XX	018-14100-00	CAP 0603 CHIP 1N 50V X7R +-10%	IC101		002-10003-58	(S) IC SMD LM358 DUAL OP AMP
*C327	32XX	018-14100-00	CAP 0603 CHIP 1N 50V X7R +-10%	IC201		002-14519-10	(S) IC MC145191F SMD SYNTHESIZER
*C327	41XX	018-13150-00	CAP 0603 CHIP 150P 50V NPO +-5%	IC202		002-11155-00	(S) IC TK11550M SMD SWITCHABLE 5V REG SO
*C327	42XX	018-13150-00	CAP 0603 CHIP 150P 50V NPO +-5%	IC203		002-10006-62	(S) IC SMD LMC662CM DUAL CMOS OP-AMP
*C328	31XX	018-11330-00	CAP 0603 CHIP 3P3 50V +-0.25P	IC301		002-10337-20	(S) IC MC3372D SMD FM IF DETECTOR
*C328	32XX	018-11180-00	CAP 0603 CHIP 1P8 50V NPO +-0.25P	L101		065-10004-20	BEAD FE SMD CBD 4.6/3/3-4S2
*C328	41XX	018-11100-00	CAP 0603 CHIP 1P0 50V NPO +-0.25P	L102		065-10004-20	BEAD FE SMD CBD 4.6/3/3-4S2
*C328	42XX	018-11100-00	CAP 0603 CHIP 1P0 50V NPO +-0.25P	L104		056-10820-00	IND FXD SMD 820NH 3.2*2.5*1.6 SIEMENS SMI
*C329	31XX	018-12100-00	CAP 0603 CHIP 10P 50V NPO +-0.25P	*L106	31XX	052-56140-45	COIL A/W 4.5T/4.0MM HOR 0.56MM WIRE
*C329	32XX	018-11820-00	CAP 0603 CHIP 8P2 50V NPO +-0.25P	*L106	32XX	052-56130-55	COIL A/W 5.5T/3.0MM HOR 0.56MM WIRE
*C329	41XX	018-12100-00	CAP 0603 CHIP 10P 50V NPO +-0.25P	*L106	41XX	052-56130-45	COIL A/W 4.5T/3.0MM HOR 0.56MM WIRE
*C329	42XX	018-12100-00	CAP 0603 CHIP 10P 50V NPO +-0.25P	*L106	42XX	052-56130-45	COIL A/W 4.5T/3.0MM HOR 0.56MM WIRE
C330		018-15100-00	CAP 0603 CHIP 10N 50V X7R +-10%	*L107	31XX	052-56145-35	COIL A/W 3.5T/4.5MM HOR 0.56MM
C333		018-12470-00	CAP 0603 CHIP 47P 50V NPO +-5%	*L107	32XX	052-56135-35	COIL A/W 3.5T/3.5MM HOR 0.56MM WIRE
#C334	XX1X	018-13100-00	CAP 0603 CHIP 100P 50V NPO +-5%	*L107	41XX	052-56125-55	COIL A/W 5.5T/2.5MM HOR 0.56MM WIRE
#C334	XX2X	018-15100-00	CAP 0603 CHIP 10N 50V X7R +-10%	*L107	42XX	052-56125-55	COIL A/W 5.5T/2.5MM HOR 0.56MM WIRE
#C334	XX3X	018-15100-00	CAP 0603 CHIP 10N 50V X7R +-10%	*L108	31XX	052-56140-45	COIL A/W 4.5T/4.0MM HOR 0.56MM WIRE
#C335	XX1X	018-12270-00	CAP 0603 CHIP 27P 50V NPO +-5%	*L108	32XX	052-56135-45	COIL A/W 4.5T/3.5MM HOR 0.56MM WIRE
#C335	XX2X	018-12270-00	CAP 0603 CHIP 27P 50V NPO +-5%	*L108	41XX	052-56140-35	COIL A/W 3.5T/4.0MM HOR 0.56MM WIRE
#C335	XX3X	018-12270-00	CAP 0603 CHIP 27P 50V NPO +-5%	*L108	42XX	052-56140-35	COIL A/W 3.5T/4.0MM HOR 0.56MM WIRE
#C336	XX1X	018-12120-00	CAP 0603 CHIP 12P 50V NPO +-5%	*L111	31XX	052-56140-45	COIL A/W 4.5T/4.0MM HOR 0.56MM WIRE
#C336	XX2X	018-12180-00	CAP 0603 CHIP 18P 50V NPO +-5%	*L111	32XX	052-56145-35	COIL A/W 3.5T/4.5MM HOR 0.56MM
#C336	XX3X	018-12150-00	CAP 0603 CHIP 15P 50V NPO +-5&	*L111	41XX	052-56140-35	COIL A/W 3.5T/4.0MM HOR 0.56MM WIRE
#C337	XX1X	018-15100-00	CAP 0603 CHIP 10N 50V X7R +-10%	*L111	42XX	052-56140-35	COIL A/W 3.5T/4.0MM HOR 0.56MM WIRE
#C337	XX2X	018-15100-00	CAP 0603 CHIP 10N 50V X7R +-10%	*L112	31XX	056-10820-00	IND FXD SMD 820NH 3.2*2.5*1.6 SIEMEN
#C337	XX3X	018-15100-00	CAP 0603 CHIP 10N 50V X7R +-10%	*L112	32XX	056-10820-00	IND FXD SMD 820NH 3.2*2.5*1.6 SIEMEN
C338		018-12470-00	CAP 0603 CHIP 47P 50V NPO +-5%	*L112	41XX	056-10330-00	IND FXD SMD 330NH 3.2*2.5*1.6 SIEMEN
#C340	XX1X	018-11180-00	CAP 0603 CHIP 1P8 50V NPO +-0.25P	*L112	42XX	056-10330-00	IND FXD SMD 330NH 3.2*2.5*1.6 SIEMEN
#C340	XX3X	018-11560-00	CAP 0603 CHIP 5P6 50V NPO +-0.25P	*L301	31XX	050-00016-73	COIL RF 71NH NOM 5.5T CORELESS SHLD
#C341	XX1X	018-12220-00	CAP 0603 CHIP 22P 50V NPO +-5%	*L301	32XX	050-00016-72	COIL RF 57NH NOM 4.5T CORELESS SHLD
#C341	XX2X	018-15100-00	CAP 0603 CHIP 10N 50V X7R +-10%	*L301	41XX	050-00016-71	COIL RF 42NH NOM 3.5T CORELESS SHLD
#C341	XX3X	018-15100-00	CAP 0603 CHIP 10N 50V X7R +-10%	*L301	42XX	050-00016-71	COIL RF 42NH NOM 3.5T CORELESS SHLD
C342		018-15100-00	CAP 0603 CHIP 10N 50V X7R +-10%	*L302	31XX	056-10820-00	IND FXD SMD 820NH 3.2*2.5*1.6 SIEMEN
C343		018-15100-00	CAP 0603 CHIP 10N 50V X7R +-10%	*L302	32XX	056-10820-00	IND FXD SMD 820NH 3.2*2.5*1.6 SIEMEN
C344		018-15100-00	CAP 0603 CHIP 10N 50V X7R +-10%	*L302	41XX	056-10330-00	IND FXD SMD 330NH 3.2*2.5*1.6 SIEMEN
#C345	XX1X	018-12100-00	CAP 0603 CHIP 10P 50V NPO +-0.25P	*L302	42XX	056-10330-00	IND FXD SMD 330NH 3.2*2.5*1.6 SIEMEN
#C345	XX2X	018-15100-00	CAP 0603 CHIP 10N 50V X7R +-10%	*L306	31XX	050-00016-73	COIL RF 71NH NOM 5.5T CORELESS SHLD
#C345	XX3X	018-15100-00	CAP 0603 CHIP 10N 50V X7R +-10%	*L306	32XX	050-00016-72	COIL RF 57NH NOM 4.5T CORELESS SHLD
#C347	XX1X	018-11390-00	CAP 0603 CHIP 3P9 50V NPO +-0.25P	*L306	41XX	050-00016-71	COIL RF 42NH NOM 3.5T CORELESS SHLD
#C347	XX2X	018-11270-00	CAP 0603 CHIP 2P7 50V NPO +-0.25P	*L307	31XX	050-00016-73	COIL RF 71NH NOM 5.5T CORELESS SHLD
#C347	XX3X	018-11180-00	CAP 0603 CHIP 1P8 50V NPO +-0.25P	*L307	32XX	050-00016-72	COIL RF 57NH NOM 4.5T CORELESS SHLD
C349		018-15100-00	CAP 0603 CHIP 10N 50V X7R +-10%	*L307	41XX	050-00016-71	COIL RF 42NH NOM 3.5T CORELESS SHLD
#C350	XX2X	018-11390-00	CAP 0603 CHIP 3P9 50V NPO +-0.25P	*L307	42XX	050-00016-71	COIL RF 42NH NOM 3.5T CORELESS SHLD
#C350	XX3X	018-11270-00	CAP 0603 CHIP 2P7 50V NPO +-0.25P	L310		056-14150-00	IND FXD SMD 1.5UH 3.2*2.5*1.6 SIEMENS SMI
C352		018-15100-00	CAP 0603 CHIP 10N 50V X7R +-10%	#L311	XX1X	056-14330-00	IND FXD SMD 3.3UH 3.2*2.5*1.6 SIEMEN
C354		018-12270-00	CAP 0603 CHIP 27P 50V NPO +-5%	#L311	XX2X	056-10033-00	IND FXD SMD 33NH 3.2*2.5*1.6 SIEMENS
C356		018-12270-00	CAP 0603 CHIP 27P 50V NPO +-5%	#L311	XX3X	056-10820-00	IND FXD SMD 820NH 3.2*2.5*1.6 SIEMEN
C359		018-15100-00	CAP 0603 CHIP 10N 50V X7R +-10%	#L312	XX1X	056-14680-00	IND FXD SMD 6.8UH 3.2*2.5*1.6 SIEMEN
C360		014-07470-00	CAP TANT CHIP 4U7 3.5 X 2.8MM 267 SERIES	#L312	XX3X	056-14680-00	IND FXD SMD 6.8UH 3.2*2.5*1.6 SIEMEN
C361		015-25470-08	CAP CER 0805 CHIP 47N 10% X7R 50V	#L315	XX1X	056-14680-00	IND FXD SMD 6.8UH 3.2*2.5*1.6 SIEMEN
C362		015-25470-08	CAP CER 0805 CHIP 47N 10% X7R 50V	*M100	31XX	004-00060-71	MODULE RF PWR MHW607-1 136-154MHZ 7W
C363		015-25470-08	CAP CER 0805 CHIP 47N 10% X7R 50V	*M100	32XX	004-00060-72	MODULE RF PWR MHW607-2 146-174MHZ 7W
C364		018-12270-00	CAP 0603 CHIP 27P 50V NPO +-5%	*M100	41XX	004-00060-73	MODULE RF PWR MHW607-3 174-195MHZ 7W
C367		018-15100-00	CAP 0603 CHIP 10N 50V X7R +-10%	*M100	42XX	004-00060-74	MODULE RF PWR MHW607-4 184-210MHZ 7W
C368		018-15100-00	CAP 0603 CHIP 10N 50V X7R +-10%	MX301		002-10000-11	(S) IC SMD SMD-K1 DOUBLE BALANCED MIXER
#C369	XX1X	015-23120-01	CAP CER 0805 CHIP 120P 5% NPO 50V	PL201		240-00026-27	CONN 5WAY MALE INTERCONNECT STRIP PCB
#C369	XX2X	015-23150-01	CAP CER 0805 CHIP 150P 5% NPO 50V	Q101		000-02135-90	(S) XSTR 2SA1359-Y PNP AF PWR TO126
#C369	XX3X	015-23120-01	CAP CER 0805 CHIP 120P 5% NPO 50V	Q102		000-10084-81	(S) XSTR SMD BC848BW NPN SOT-323 SMALL SI
#C370	XX1X	015-23120-01	CAP CER 0805 CHIP 120P 5% NPO 50V	Q201		000-10008-92	(S) XSTR SMD BFS17 NPN SOT-23 UHF SMALL S
#C370	XX2X	015-23150-01	CAP CER 0805 CHIP 150P 5% NPO 50V	Q203		000-10084-81	(S) XSTR SMD BC848BW NPN SOT-323 SMALL SI
#C370	XX3X	015-23120-01	CAP CER 0805 CHIP 120P 5% NPO 50V	Q205		000-10085-71	(S) XSTR SMD BC857BW PNP SOT-323 SMALL SI
C371		014-07470-00	CAP TANT CHIP 4U7 3.5 X 2.8MM 267 SERIES	Q301		000-10009-41	(S) XSTR SMD MMBR941L RF LOW NOISE SOT23
C372		018-12330-00	CAP 0603 CHIP 33P 50V NPO +-5%	Q303		000-10008-92	(S) XSTR SMD BFS17 NPN SOT-23 UHF SMALL S
C373		018-15100-00	CAP 0603 CHIP 10N 50V X7R +-10%	Q304		000-10009-41	(S) XSTR SMD MMBR941L RF LOW NOISE SOT23
#C373	XX1X	015-23180-01	CAP CER 0805 CHIP 180P 5% NPO 50V	Q306		000-10084-81	(S) XSTR SMD BC848BW NPN SOT-323 SMALL SI
#C373	XX2X	015-23680-08	CAP CER 0805 CHIP 680P 10% X7R 50V	Q307		000-10084-81	(S) XSTR SMD BC848BW NPN SOT-323 SMALL SI
#C373	XX3X	015-23180-01	CAP CER 0805 CHIP 180P 5% NPO 50V				
C374		014-06470-00	CAP TANT CHIP 470N 25V +-20% 6X3.2X2.5MM				
C375		018-15100-00	CAP 0603 CHIP 10N 50V X7R +-10%				
C380		018-15100-00	CAP 0603 CHIP 10N 50V X7R +-10%				
C381		018-15100-00	CAP 0603 CHIP 10N 50V X7R +-10%				
C383		018-15100-00	CAP 0603 CHIP 10N 50V X7R +-10%				

Ref	Var	IPN	Description	Ref	Var	IPN	Description
*R101	31XX	038-13330-00	RES 0603 CHIP 330E 1/16W +5%	*R301	41XX	036-13560-00	RES M/F 0805 CHIP 560E 5%
*R101	32XX	038-13330-00	RES 0603 CHIP 330E 1/16W +5%	*R301	42XX	036-13560-00	RES M/F 0805 CHIP 560E 5%
*R101	41XX	038-13150-00	(L) RES 0603 CHIP 150E 1/16W +5%	R302		038-14680-00	RES 0603 CHIP 6K8 1/16W +5%
*R101	42XX	038-13150-00	(L) RES 0603 CHIP 150E 1/16W +5%	R303		038-13680-00	RES 0603 CHIP 680E 1/16W +5%
*R102	31XX	038-12220-00	RES 0603 CHIP 22E 1/16W +5%	R304		038-15100-00	RES 0603 CHIP 10K 1/16W +5%
*R102	32XX	038-12220-00	RES 0603 CHIP 22E 1/16W +5%	R305		038-16100-00	RES 0603 CHIP 100K 1/16W +5%
*R102	41XX	038-12470-00	RES 0603 CHIP 47E 1/16W +5%	R306		038-14470-00	RES 0603 CHIP 4K7 1/16W +5%
*R102	42XX	038-12470-00	RES 0603 CHIP 47E 1/16W +5%	R307		038-12100-00	RES 0603 CHIP 10E 1/16W +5%
*R103	31XX	038-13330-00	RES 0603 CHIP 330E 1/16W +5%	R308		038-15100-00	RES 0603 CHIP 10K 1/16W +5%
*R103	32XX	038-13330-00	RES 0603 CHIP 330E 1/16W +5%	R309		038-16100-00	RES 0603 CHIP 100K 1/16W +5%
*R103	41XX	038-13150-00	(L) RES 0603 CHIP 150E 1/16W +5%	R310		038-16100-00	RES 0603 CHIP 100K 1/16W +5%
*R103	42XX	038-13150-00	(L) RES 0603 CHIP 150E 1/16W +5%	R311		036-12470-00	RES M/F 0805 CHIP 47E 5%
R106		038-11470-00	RES 0603 CHIP 4E7 1/16W +5%	R312		038-12220-00	RES 0603 CHIP 22E 1/16W +5%
R107		036-10000-00	RES M/F 0805 CHIP ZERO OHM	R317		038-13100-00	RES 0603 CHIP 15K 1/16W +5%
R108		038-11470-00	RES 0603 CHIP 4E7 1/16W +5%	R318		038-14150-00	RES 0603 CHIP 1K5 1/16W +5%
R109		036-10000-00	RES M/F 0805 CHIP ZERO OHM	R319		038-14220-00	RES 0603 CHIP 2K2 1/16W +5%
R110		036-00120-10	RES 2512 CHP1 0E12 1W 1% 100PPM/C	R320		038-13100-00	RES 0603 CHIP 100E 1/16W +5%
R113		038-15470-00	RES M/F 0805 CHIP 47K 1/16W +5%	R322		038-15150-00	RES 0603 CHIP 15K 1/16W +5%
R114		038-14100-00	RES 0603 CHIP 1K0 1/16W +5%	#R323	XX1X	038-15100-00	RES 0603 CHIP 10K 1/16W +5%
R116		036-13330-00	RES M/F 0805 CHIP 330E 5%	#R323	XX2X	038-15150-00	RES 0603 CHIP 15K 1/16W +5%
R117		036-13330-00	RES M/F 0805 CHIP 330E 5%	#R323	XX3X	038-15150-00	RES 0603 CHIP 15K 1/16W +5%
R118		036-13330-00	RES M/F 0805 CHIP 330E 5%	R324		036-12470-00	RES M/F 0805 CHIP 47E 5%
R129		038-16100-00	RES 0603 CHIP 100K 1/16W +5%	R325		038-15100-00	RES 0603 CHIP 10K 1/16W +5%
R130		038-13330-00	RES 0603 CHIP 330E 1/16W +5%	#R328	XX1X	038-14330-00	RES 0603 CHIP 3K3 1/16W +5%
R131		038-13330-00	RES 0603 CHIP 330E 1/16W +5%	#R328	XX2X	038-14150-00	RES 0603 CHIP 1K5 1/16W +5%
R132		038-14470-00	RES 0603 CHIP 4K7 1/16W +5%	#R328	XX3X	038-14150-00	RES 0603 CHIP 1K5 1/16W +5%
R133		038-14220-00	RES 0603 CHIP 2K2 1/16W +5%	#R329	XX1X	038-14220-00	RES 0603 CHIP 2K2 1/16W +5%
R134		038-17100-00	RES 0603 CHIP 1M 1/16W +5%	#R329	XX2X	038-14100-00	RES 0603 CHIP 1K0 1/16W +5%
R135		038-16100-00	RES 0603 CHIP 100K 1/16W +5%	#R329	XX3X	038-14100-00	RES 0603 CHIP 1K0 1/16W +5%
R136		038-17100-00	RES 0603 CHIP 1M 1/16W +5%	#R330	XX1X	038-14470-00	RES 0603 CHIP 4K7 1/16W +5%
R138		036-15270-10	RES M/F 0805 CHIP 27K 1%	#R330	XX2X	038-14150-00	RES 0603 CHIP 1K5 1/16W +5%
R139		036-15100-10	RES M/F 0805 CHIP 10K 1%	#R330	XX3X	038-14150-00	RES 0603 CHIP 1K5 1/16W +5%
R141		038-16470-00	RES 0603 CHIP 470K 1/16W +5%	R332		038-14150-00	RES 0603 CHIP 1K5 1/16W +5%
R142		038-16470-00	RES 0603 CHIP 470K 1/16W +5%	R333		038-14680-00	RES 0603 CHIP 6K8 1/16W +5%
R143		038-15100-00	RES 0603 CHIP 10K 1/16W +5%	R334		038-15270-00	RES 0603 CHIP 27K 1/16W +5%
R144		038-15100-00	RES 0603 CHIP 10K 1/16W +5%	R335		038-14150-00	RES 0603 CHIP 1K5 1/16W +5%
R145		036-15270-10	RES M/F 0805 CHIP 27K 1%	R337		038-14220-00	RES 0603 CHIP 2K2 1/16W +5%
R146		036-15100-10	RES M/F 0805 CHIP 10K 1%	R338		038-12220-00	RES 0603 CHIP 22E 1/16W +5%
R200		038-14220-00	RES 0603 CHIP 2K2 1/16W +5%	R339		036-14180-00	RES M/F 0805 CHIP 1K8 5%
R201		038-15270-00	RES 0603 CHIP 27K 1/16W +5%	R340		038-15470-00	RES 0603 CHIP 47K 1/16W +5%
R202		038-15470-00	RES 0603 CHIP 47K 1/16W +5%	#R341	XX1X	038-14470-00	RES 0603 CHIP 4K7 1/16W +5%
R203		038-14100-00	RES 0603 CHIP 1K0 1/16W +5%	#R341	XX2X	038-15100-00	RES 0603 CHIP 10K 1/16W +5%
R204		038-16100-00	RES 0603 CHIP 100K 1/16W +5%	#R341	XX3X	038-14680-00	RES 0603 CHIP 6K8 1/16W +5%
R205		036-14470-00	RES M/F 0805 CHIP 4K7 5%	R344		045-15100-00	RES NTC SMD 10K 5%
R206		036-15330-00	RES M/F 0805 CHIP 33K 5%	R345		038-15100-00	RES 0603 CHIP 10K 1/16W +5%
R207		038-14100-00	RES 0603 CHIP 1K0 1/16W +5%	R346		038-15470-00	RES 0603 CHIP 47K 1/16W +5%
R208		038-14220-00	RES 0603 CHIP 2K2 1/16W +5%	R347		036-10000-00	RES M/F 0805 CHIP ZERO OHM
R209		045-15100-00	RES NTC SMD 10K 5%	R348		038-14470-00	RES 0603 CHIP 4K7 1/16W +5%
R210		036-14820-00	RES M/F 0805 CHIP 8K2 5%	R349		038-15100-00	RES 0603 CHIP 10K 1/16W +5%
R211		036-14220-00	RES M/F 0805 CHIP 2K2 5%	R350		036-16560-00	RES M/F 0805 CHIP 560K 5%
R212		036-15220-00	RES M/F 0805 CHIP 22K 5%	R354		038-14100-00	RES 0603 CHIP 1K0 1/16W +5%
R213		038-13100-00	RES 0603 CHIP 100E 1/16W +5%	R356		038-13100-00	RES 0603 CHIP 100E 1/16W +5%
R214		038-14150-00	RES 0603 CHIP 1K5 1/16W +5%	R357		038-14470-00	RES 0603 CHIP 4K7 1/16W +5%
R215		038-15150-00	RES 0603 CHIP 15K 1/16W +5%	R358		036-16180-00	RES M/F 0805 CHIP 180K 5%
R216		038-15100-00	RES 0603 CHIP 10K 1/16W +5%	R359		038-14100-00	RES 0603 CHIP 1K0 1/16W +5%
R217		038-12220-00	RES 0603 CHIP 22E 1/16W +5%	R360		038-15270-00	RES 0603 CHIP 27K 1/16W +5%
R217A		038-13330-00	RES 0603 CHIP 330E 1/16W +5%	#R361	XX1X	036-16560-00	RES M/F 0805 CHIP 560K 5%
R218		038-12220-00	RES 0603 CHIP 22E 1/16W +5%	#R361	XX2X	036-16330-00	RES M/F 0805 CHIP 330K 5%
R219		038-12220-00	RES 0603 CHIP 22E 1/16W +5%	#R361	XX3X	036-16820-00	RES M/F 0805 CHIP 820K 5%
R220		038-12220-00	RES 0603 CHIP 22E 1/16W +5%	R362		038-15470-00	RES 0603 CHIP 47K 1/16W +5%
R221		038-14100-00	RES 0603 CHIP 1K0 1/16W +5%	R363		036-16100-00	RES M/F 0805 CHIP 100K 5%
R222		038-15470-00	RES 0603 CHIP 47K 1/16W +5%	R368		038-14220-00	RES 0603 CHIP 2K2 1/16W +5%
R223		038-15470-00	RES 0603 CHIP 47K 1/16W +5%	#R369	XX1X	036-14470-00	RES M/F 0805 CHIP 4K7 5%
*R224	31XX	036-14330-00	RES M/F 0805 CHIP 3K3 5%	#R369	XX2X	036-14680-00	RES M/F 0805 CHIP 6K8 5%
*R224	32XX	036-14330-00	RES M/F 0805 CHIP 3K3 5%	#R369	XX3X	036-14680-00	RES M/F 0805 CHIP 6K8 5%
*R224	41XX	036-14390-00	RES M/F 0805 CHIP 3K9 5%	#R370	XX1X	036-14150-00	RES M/F 0805 CHIP 1K5 5%
*R224	42XX	036-14390-00	RES M/F 0805 CHIP 3K9 5%	#R370	XX2X	036-10000-00	RES M/F 0805 CHIP ZERO OHM
R228		038-13100-00	RES 0603 CHIP 100E 1/16W +5%	#R370	XX3X	036-14470-00	RES M/F 0805 CHIP 4K7 5%
R229		038-14220-00	RES 0603 CHIP 2K2 1/16W +5%	#R371	XX1X	036-15100-10	RES M/F 0805 CHIP 10K 1%
R230		036-16330-00	RES M/F 0805 CHIP 330K 5%	#R371	XX2X	036-15100-10	RES M/F 0805 CHIP 10K 1%
R235		038-15150-00	RES 0603 CHIP 15K 1/16W +5%	#R371	XX3X	036-15100-10	RES M/F 0805 CHIP 10K 1%
R240		038-14220-00	RES 0603 CHIP 2K2 1/16W +5%	#R380	XX2X	038-15100-00	RES 0603 CHIP 10K 1/16W +5%
R241		038-15470-00	RES 0603 CHIP 47K 1/16W +5%	#R380	XX3X	038-15100-00	RES 0603 CHIP 10K 1/16W +5%
R242		038-15100-00	RES 0603 CHIP 10K 1/16W +5%	#R381	XX2X	045-15100-00	RES NTC SMD 10K 5%
*R301	31XX	036-13470-00	RES M/F 0805 CHIP 470E 5%	#R381	XX3X	045-15100-00	RES NTC SMD 10K 5%
*R301	32XX	036-13470-00	RES M/F 0805 CHIP 470E 5%	#R382	XX1X	036-15220-00	RES M/F 0805 CHIP 22K 5%

Ref	Var	IPN	Description	Ref	Var	IPN	Description
#R382	XX2X	036-15680-00	RES M/F 0805 CHIP 68K 5%	Note:	The first character in the variant column refers to the frequency band, the second refers to the frequency sub-band and the third refers to the IF bandwidth, as follows:		
#R382	XX3X	036-15470-00	RES M/F 0805 CHIP 47K 5%		31XX	136-154MHz	
SK-FLX		240-02010-92	CONN 22WAY FFC MOLEX STRAIGHT (LEADED P	32XX	146-174MHz		
SK202		240-02010-91	CONN 5WAY FEM LOW PROF SKT STRIPPCB NT	41XX	174-195MHz		
XL201		274-01058-00	XTAL 12.8MHZ TE/45 +-5PPM UM-1 3 LEAD PK	42XX	184-208MHz		
XL301		274-00010-21	XTAL 20.945MHZ SPEC TE/21 HC-45/U C/W TE	XX1X	15kHz IF bandwidth		
#XF301	XX1X	276-00010-47	FLTR XTAL 21.4MHZ 15KHZ B/W 2POLE 2	XX2X	7.5kHz IF bandwidth		
#XF301	XX2X	276-00010-46	FLTR XTAL 21.4MHZ 7.5KHZ B/W 2POLE	XX3X	12.5kHz IF bandwidth		
#XF301	XX3X	276-00010-70	(L) FLTR XTAL 21.4MHZ 12KHZ B/W 2 P				
#XF302	XX1X	276-00010-47	FLTR XTAL 21.4MHZ 15KHZ B/W 2POLE 2				
#XF302	XX2X	276-00010-46	FLTR XTAL 21.4MHZ 7.5KHZ B/W 2POLE				
#XF302	XX3X	276-00010-70	(L) FLTR XTAL 21.4MHZ 12KHZ B/W 2 P				

T3000-3000/-4000 Mechanical & Miscellaneous Parts

IPN	Description	IPN	Description
220-01233-03	PCB T3300 136-174MHZ		
220-01266-01	PCB T3000 RF FLEX-LOOM		
220-01285-04	PCB T3000 AERIAL SWITCH		
232-02034-02	(L) CAP A4M2868 AERIAL SWITCH		
232-02035-02	(L) CASE A4M2869 T3000 AERIAL SWITCH		
303-11185-00	CHASSIS A1M2702 T3000 DCAST BEAD BLSTD COMPLE		
303-20056-00	COVER REAR A1M2707 T3000 SII		
303-50025-01	CONTACT A2M2782 RADIO CONNECTOR T3000		
303-50026-00	CONTACT A4M2767 T3000 AERIAL (PCB SWITCH)		
303-50070-00	CLIP A4M2648 XSTR MTG T2000PA/T555'S		
308-00011-02	MOULDING A1M2717 T3000 RADIO BAT CONTACT		
312-01025-01	LID A1M2705 T3000 BTM DCAST BEAD BLSTD COMPLE		
316-85024-00	(L) PIN A4M2867 AERIAL SWITCH T3000		
316-85025-01	(L) EARTH RING A4M2870 T3000		
319-01041-01	(L) SPRING A4M2872 T3000 AERIAL SWITCH		
319-01048-03	STUD A4M2718 AERIAL MNT T3000		
319-01185-03	SHIELD 1M2704 T3000 IP54 DCAST BARE BEAD BLSTD COM		
345-00020-02	SCREW M2.5 * 10 PAN POZI ST BZ		
345-00020-03	(L) SCREW M2.5X5MM CSK POZI MACHINE BLACK		
345-00020-08	SCREW M2.5*16MM PAN POZI ST BZ		
345-00020-10	SCREW M2.5*20MM PAN POZI ST BZ		
345-00030-20	SCREW M2.5 X 8MM BLACK CSK POZI MACHINE SCREW		
345-00080-00	SCREW M2*9.25 PAN TORX (C/W CAPTIVE WASHERS)		
354-01038-01	FASTENER A4M2783 MODULE T3000		
358-01021-00	EYELET 20*13*25		
362-01059-02	BUSH INS A4M2713 AERIAL STUD T3000		
362-01076-00	SEAL SIL RADIO BATTERY CONTACT T3000		
362-01077-01	SEAL SIL T3000 PERIMETER GASKET		
365-00100-20	LABEL WHITE S/A 28X11MM QUIKSTIK RW718/4		

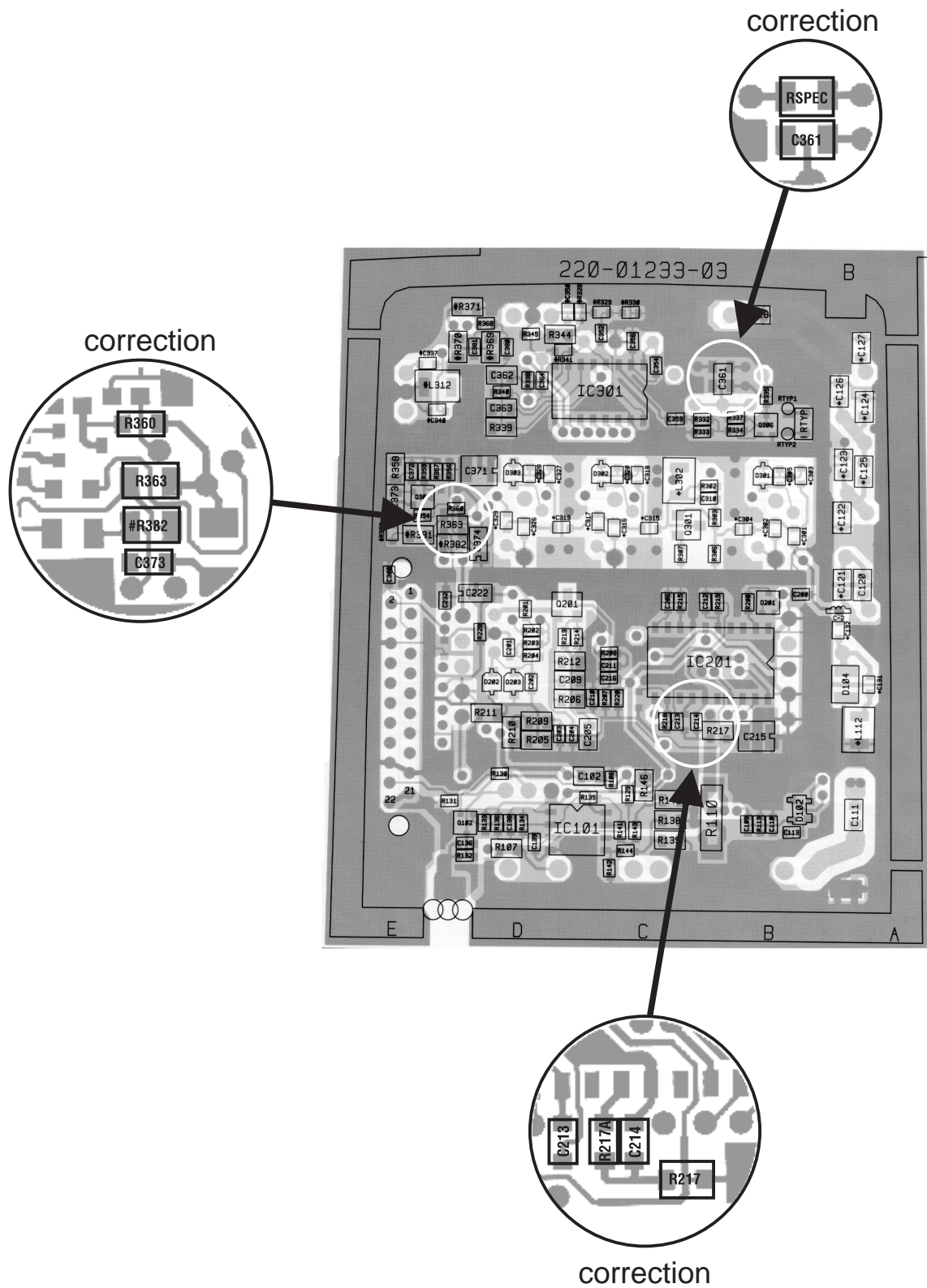
T3000-3000/-4000 Grid Reference Index (IPN 220-01233-03)

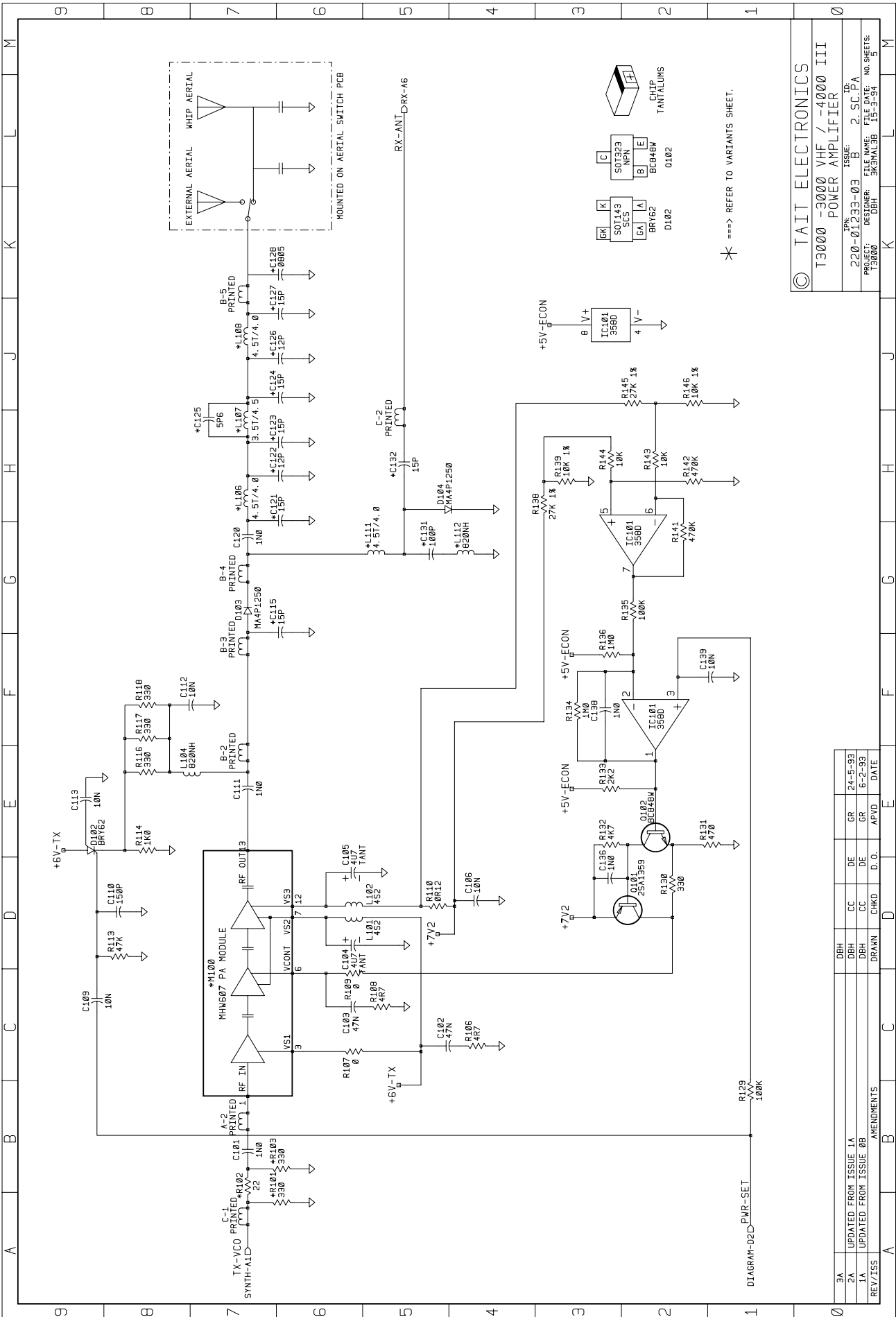
Device	PCB	Circuit	Device	PCB	Circuit	Device	PCB	Circuit	Device	PCB	Circuit
A-2	1:E1	PA-B6	C309	1:B5	RX-B6			SYNTH-K7	R145	4:C2	PA-J1
			C310	4:C5	RX-C6			SYNTH-L7	R146	4:C2	PA-J1
B-2	1:A2	PA-E6	C312	1:C4	RX-C7	IC301	4:C6	RX-C1	R200	4:B4	SYNTH-C8
B-3	1:A3	PA-F6	*C315	4:C4	RX-D6			RX-F1	R201	4:D3	SYNTH-B5
B-4	1:A3	PA-G6	*C316	4:C4	RX-D5			RX-J2	R202	4:D3	SYNTH-B5
B-5	1:B6	PA-J6	*C317	4:C4	RX-D5			RX-L2	R203	4:D3	SYNTH-C6
			*C318	4:C5	RX-E5				R204	4:D3	SYNTH-C6
C-1	1:E2	PA-A6	*C319	4:D4	RX-E6	L101	1:C2	PA-D5	R205	4:D2	SYNTH-D7
C-2	4:B3	PA-H4	*C320	4:C5	RX-E4	L102	1:B2	PA-D5	R206	4:D3	SYNTH-E7
C101	1:E1	PA-B6	C325	1:D5	RX-E6	L104	1:B2	PA-E6	R207	4:C3	SYNTH-E7
C102	4:C2	PA-C4	*C326	4:D4	RX-E5	*L106	1:A4	PA-H6	R208	4:C3	SYNTH-F6
C103	1:D1	PA-C5	*C327	4:D5	RX-F5	*L107	1:A5	PA-H6	R209	4:D2	SYNTH-D5
C104	1:C2	PA-D5	*C328	4:D5	RX-F4	*L108	1:A5	PA-J6	R210	4:D2	SYNTH-D5
C105	1:C2	PA-D5	*C329	4:D4	RX-F6	*L111	1:A3	PA-G4	R211	4:D2	SYNTH-D5
C106	1:C2	PA-D3	C330	1:C5	RX-E7	*L112	4:A2	PA-G3	R212	4:D3	SYNTH-E5
C109	4:B1	PA-C8	C333	1:D5	RX-G5	*L301	1:B4	RX-B4	R213	4:D3	SYNTH-E5
C110	4:B1	PA-D7	#C334	1:E5	RX-H6	*L302	4:C5	RX-C6	R214	4:D3	SYNTH-E5
C111	4:A1	PA-E6	#C335	1:E4	RX-H5	*L306	1:C4	RX-E4	R215	4:C4	SYNTH-F5
C112	1:B1	PA-F6	#C336	1:E5	RX-H5	*L307	1:D4	RX-F4	R216	1:B3	SYNTH-G7
C113	4:B1	PA-E8	#C337	4:E6	RX-J6	L310	1:E5	RX-H6	R217	4:B2	SYNTH-G8
*C115	1:A3	PA-G5	C338	1:D5	RX-K6	#L311	1:E5	RX-H6	R217A	4:C2	SYNTH-G7
C120	4:A4	PA-G6	#C340	4:E5	RX-K5	#L312	4:E6	RX-J5	R218	4:C3	SYNTH-G8
*C121	4:A4	PA-H5	#C341	1:E6	RX-K6	#L315	1:E6	RX-M5	R219	4:B4	SYNTH-F8
*C122	4:A4	PA-H5	C342	1:D5	RX-J6				R220	4:C3	SYNTH-H8
*C123	4:A5	PA-H5	C343	1:D6	RX-L7	*M100	1:D1	PA-C6	R221	1:C3	SYNTH-H6
*C124	4:A5	PA-J5	C344	1:E6	RX-K6	MX301	1:E4	RX-G5	R222	1:C3	SYNTH-J8
*C125	4:A5	PA-H6	#C345	1:D6	RX-L6				R223	1:C4	SYNTH-J6
*C126	4:B6	PA-J5	#C347	1:D6	RX-L5	PL201	1:B3	SYNTH-E0	*R224	1:D3	SYNTH-J4
*C127	4:A6	PA-J5	C349	1:D6	RX-A1				R228	4:D3	SYNTH-L8
*C128	4:B6	PA-K5	#C350	4:D6	RX-B1				R229	1:D3	SYNTH-K6
*C131	4:A3	PA-G4	C352	4:C6	RX-C1	Q101	1:D2	PA-D1	R230	1:D3	SYNTH-L6
*C132	4:B3	PA-H4	C354	4:C6	RX-C1	Q102	4:D1	PA-E1	R230	1:D3	SYNTH-L6
C136	4:D1	PA-D2	C356	4:C6	RX-C1	Q201	4:D3	SYNTH-E6	R235	1:C2	SYNTH-B1
C138	4:D1	PA-F2	C359	4:C5	RX-D1	Q203	1:C3	SYNTH-L1	R240	1:B3	SYNTH-K1
C139	4:D1	PA-F0	C360	4:C5	RX-D1	Q205	1:C3	SYNTH-L1	R241	1:C3	SYNTH-L1
C200	4:B4	SYNTH-B7	C361	1:C6	RX-E3	Q301	4:C4	RX-C5	R242	1:C4	SYNTH-L0
C201	4:D3	SYNTH-C6	C362	4:B6	RX-F3	Q303	1:D5	RX-L7	*R301	1:C4	RX-C7
C202	4:D3	SYNTH-C6	C363	4:D6	RX-F3	Q304	1:E5	RX-L6	R302	4:C5	RX-C6
C203	4:D2	SYNTH-C5	C364	4:D5	RX-F2	Q306	4:B5	RX-E1	R303	4:C4	RX-C6
C204	4:D2	SYNTH-D5	C365	4:D6	RX-G3	Q307	4:E5	RX-K2	R304	1:B5	RX-B6
C205	4:C2	SYNTH-E5	C367	1:D5	RX-G1				R305	1:B5	RX-C6
C206	4:C4	SYNTH-F5	C368	1:C6	RX-G1	RSPEC	4:B6		R306	4:C4	RX-C5
C209	4:D3	SYNTH-E6	#C369	1:D6	RX-H2	RTYP	4:B5		R307	4:C4	RX-C5
C210	4:C3	SYNTH-D7	#C370	1:C6	RX-J2	RS1	4:C6		R308	1:C5	RX-E7
C211	4:C3	SYNTH-F6	C371	4:D5	RX-K3	RT1	4:B5		R309	1:C5	RX-E5
C212	4:C4	SYNTH-F7	C372	4:E5	RX-K2	RS2	4:B6		R310	1:D5	RX-F5
C213	4:C2	SYNTH-F7	C373	4:E4	RX-L3	RT2	4:B5		R311	1:D5	RX-G5
C214	4:C2	SYNTH-G7	#C373	4:E4	RX-K2	*R101	1:D2	PA-A5	R312	1:E4	RX-G6
C215	4:B2	SYNTH-H8	C374	4:D4	RX-L1	*R102	1:E2	PA-B6	R317	1:D6	RX-L8
C216	4:C3	SYNTH-H8	C375	1:C5	RX-L1	*R103	1:D2	PA-B5	R318	1:D6	RX-L7
C217	1:C4	SYNTH-H6	C380	4:D6	RX-H0	R106	4:C2	PA-C3	R319	1:D5	RX-J7
C218	1:D2	SYNTH-H5	C381	4:D6	RX-J1	R107	4:D1	PA-C5	R320	1:D5	RX-K6
C219	1:D3	SYNTH-J5	C383	4:E3	RX-J0	R108	1:D1	PA-C4	R322	1:D5	RX-K6
C220	1:D3	SYNTH-J5				R109	1:D1	PA-C5	#R323	1:E6	RX-L6
C221	1:C3	SYNTH-J6	D102	4:B1	PA-E8	R110	4:C1	PA-D4	R324	1:D6	RX-L6
C222	4:D4	SYNTH-L7	D103	1:A3	PA-G6	R113	4:B1	PA-D7	R325	1:E6	RX-K5
C223	1:D3	SYNTH-L6	D104	4:A3	PA-H4	R114	1:B1	PA-E7	#R328	4:D6	RX-B1
C224	1:D3	SYNTH-L6	D201	4:B4	SYNTH-B8	R116	1:A1	PA-E7	#R329	4:C6	RX-B1
C226	1:D3	SYNTH-J5	D202	4:D3	SYNTH-C6	R117	1:A1	PA-F7	#R330	4:C6	RX-C1
C227	1:C3	SYNTH-H7	D203	4:D3	SYNTH-D6	R118	1:B1	PA-F7	R332	4:C5	RX-D1
C229	1:E2	SYNTH-B2	D204	1:B3	SYNTH-G4	R129	4:C2	PA-B0	R333	4:C5	RX-D1
C230	1:C2	SYNTH-B1	D205	1:B3	SYNTH-K1	R130	4:D2	PA-D1	R334	4:B5	RX-D2
C231	1:B2	SYNTH-D1	D206	1:C3	SYNTH-L0	R131	4:E2	PA-E0	R335	4:B6	RX-E2
C232	4:E4	SYNTH-D1	D207	1:B3	SYNTH-K1	R132	4:D1	PA-E2	R337	4:B5	RX-E2
C238	1:B3	SYNTH-K0	D301	4:B5	RX-B5	R133	4:D1	PA-E2	R338	4:D6	RX-D3
C300	4:E4	RX-A7	D302	4:C5	RX-E5	R134	4:D1	PA-F2	R339	4:D5	RX-F2
*C301	4:B4	RX-B5	D303	4:D5	RX-F5	R135	4:C2	PA-G1	R340	4:D6	RX-G3
#CF301	1:B5	RX-F1				R136	4:D1	PA-F2	#R341	4:D6	RX-G3
CD301	1:D6	RX-H3	IC101	4:D1	PA-F1	R138	4:C1	PA-H2	R344	4:D6	RX-G3
*C302	4:B4	RX-B5				R139	4:C1	PA-H2	R345	4:D6	RX-G2
*C303	4:B5	RX-B5				R141	4:C1	PA-G1	R346	1:C6	RX-G1
*C304	4:B4	RX-B5	IC201	4:C3	SYNTH-F5	R142	4:C1	PA-H1	R347	1:C6	RX-G1
*C305	4:B5	RX-C5	IC202	1:B2	SYNTH-C1	R143	4:C1	PA-H1	R348	1:D6	RX-H2
			IC203	1:D3	SYNTH-B6	R144	4:C1	PA-H2	R349	1:C6	RX-H1

<u>Device</u>	<u>PCB</u>	<u>Circuit</u>	<u>Device</u>	<u>PCB</u>	<u>Circuit</u>	<u>Device</u>	<u>PCB</u>	<u>Circuit</u>	<u>Device</u>	<u>PCB</u>	<u>Circuit</u>
R350	1:D5	RX-J1									
R354	4:E4	RX-J2									
R356	4:E5	RX-J3									
R357	4:E5	RX-K3									
R358	4:E5	RX-K2									
R359	4:E5	RX-K2									
R360	4:E5	RX-K2									
#R361	1:C5	RX-L2									
R362	1:C5	RX-L2									
R363	4:E4	RX-L2									
R368	4:D6	RX-H1									
#R369	4:D6	RX-J1									
#R370	4:E6	RX-J1									
#R371	4:D6	RX-K0									
#R380	4:E4	RX-L3									
#R381	4:E4	RX-L3									
#R382	4:E4	RX-L3									
SK-FLEXI	1:E4	DIAGRAM-J0									
SK202	1:E3	SYNTH-H0									
XL201	1:D3	SYNTH-D6									
XL301	1:C6	RX-C1									
#XF301	1:E6	RX-J6									
#XF302	1:D6	RX-A1									

Bottom Side PCB Layout

The following diagram shows corrections for the T3000-3000/ -4000 bottom side PCB layout.



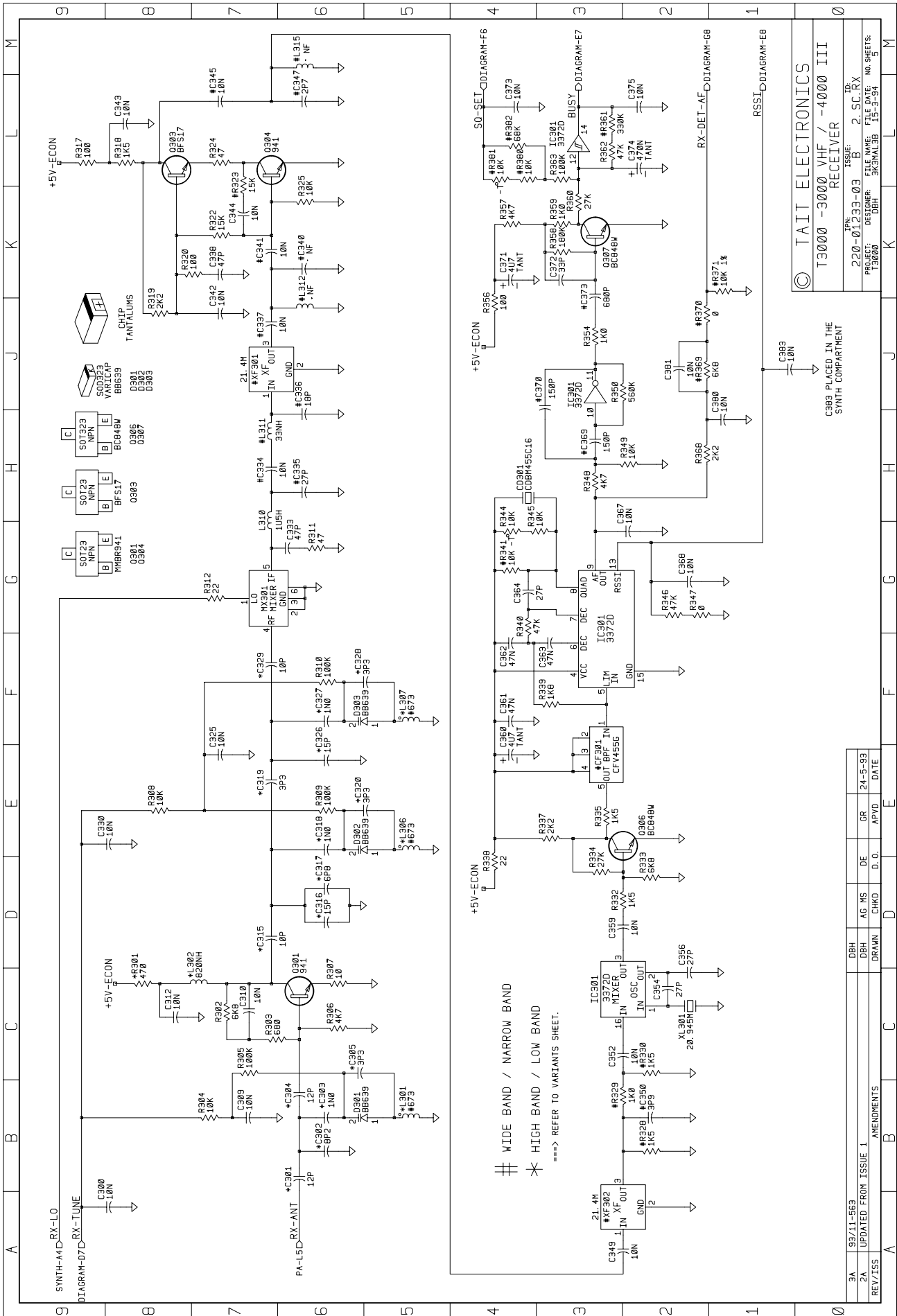


* ==> REFER TO VARIANTS SHEET.

- 50T143 SCS BRY62 0102
- S0T323 NPN BRY62 0102
- CHIP TANTALUMS

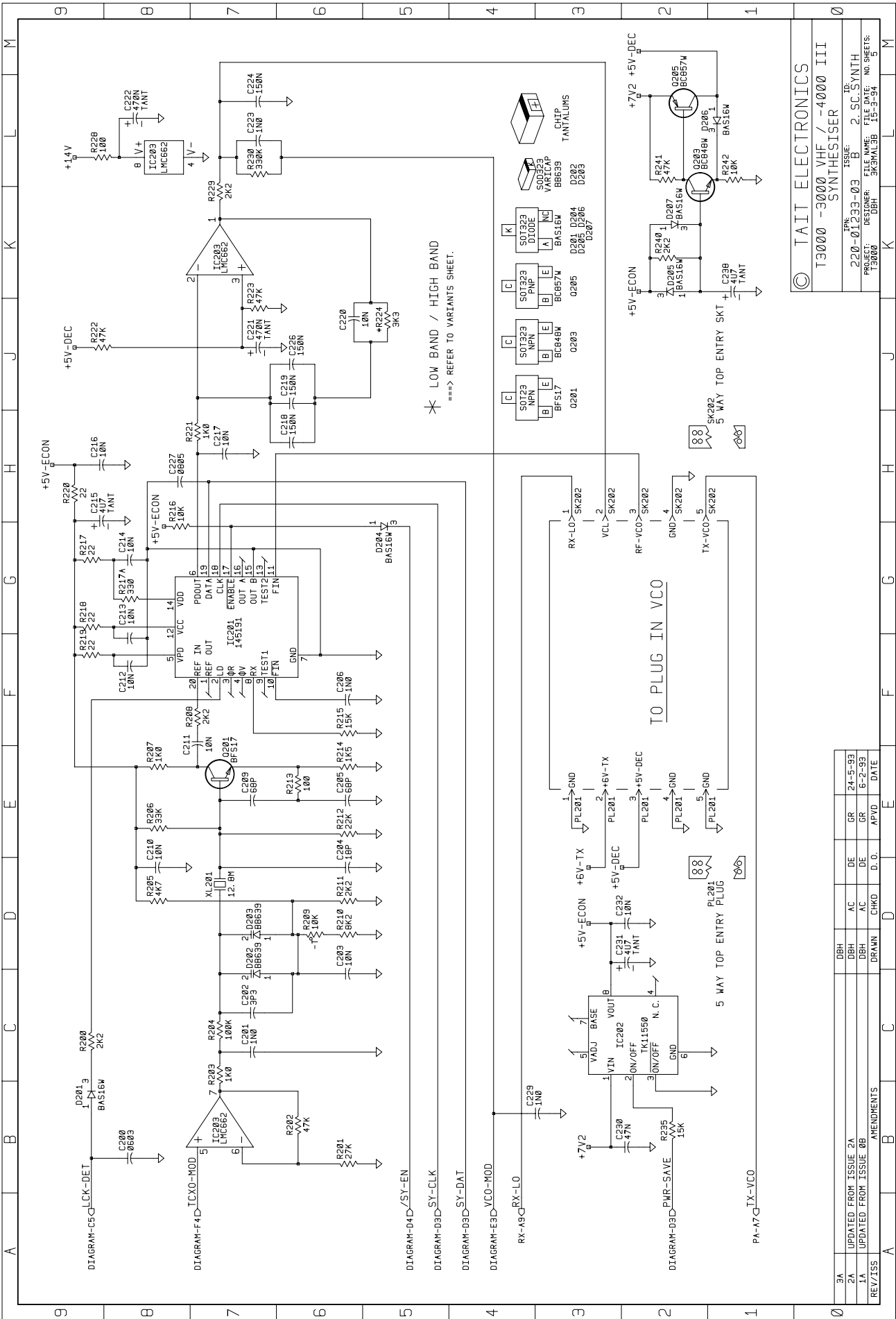
© TAIT ELECTRONICS
 T3000 -3000 VHF / -4000 III
 POWER AMPLIFIER
 220-01233-03 ISSUE: 2 SC PA
 PROJECT: DESIGNER: FILE NAME: NO. SHEETS:
 T3000 DBH 3K3MAL3B 15-3-94 5

REV/ISS	AMENDMENTS	CHKD	D.O.	APVD	DATE
1A	UPDATED FROM ISSUE 0B	CC	DE	GR	6-2-93
2A	UPDATED FROM ISSUE 1A	CC	DE	GR	24-5-93
3A		DBH	CC	DE	



© TAIT ELECTRONICS
 T3000 -3000 VHF / -4000 III
 220-01233-03 B 2 SC RX
 PROJECT DESIGNER: 3K3MAL/GB
 FILE NAME: 15-3-94
 13000 DBH

C383 PLACED IN THE SYNTH COMPARTMENT



9	A	B	C	D	E	F	G	H	J	K	L	M
8	<p style="text-align: center;">P. A.</p> <p>* LOW BAND / HIGH BAND -31X1 -41X1</p>											
7	<p style="text-align: center;">SYNTHESISER</p> <p>* LOW BAND / HIGH BAND -32X1 -42X1</p>											
6	<p style="text-align: center;">RECEIVER</p> <p>* LOW BAND / HIGH BAND -31X1 -41X1</p>											
5	<p style="text-align: center;">PACKAGE CODES</p> <p>*J 0603 CHIP *S200 0805 200V CHIP CAP *S1 0805 1% CHIP RES *S 0805 CHIP *T 1206 CHIP *U 1210 CHIP INDUCTOR</p>											
4	<p style="text-align: center;">RECEIVER</p> <p>* LOW BAND / HIGH BAND -31X1 -41X1 -32X1 -42X1</p>											
3	<p style="text-align: center;"># DUAL BAND WIDE BAND -XX01 NARROW BAND GERMAN BAND -XX21</p>											
2	<p style="text-align: center;"># DUAL BAND WIDE BAND -XX11 GERMAN BAND -XX31</p>											
1	<p style="text-align: center;">RECEIVER</p> <p>* LOW BAND / HIGH BAND -31X1 -41X1 -32X1 -42X1</p>											
0	<p style="text-align: center;">TAIT ELECTRONICS T3000 -3000 VHF / -4000 III VARIANT COMPONENTS ISSUE: 2 SC VARIANTS REVISED: 220-07233-03 FILE NAME: 3K3MAL3C DESIGNER: MAJ FILE DATE: 4-16-95</p>											

*FREQ_MHZ	*C115	*C121	*C122	*C123	*C124	*C125	*C126	*C127	*C128	*C131	*C132
T3000-31X1	136-154	15PS200	12PS200	15PS200	15PS200	15PS200	12PS200	15PS200	15PS200	100PJ	15PJ
T3000-32X1	146-174	15PS200	12PS200	15PS200	15PS200	15PS200	12PS200	15PS200	15PS200	100PJ	15PJ
T3000-41X1	174-195	12PS200	12PS200	15PS200	15PS200	15PS200	12PS200	15PS200	15PS200	12PJ	12PJ
T3000-42X1	184-208	12PS200	12PS200	15PS200	15PS200	15PS200	12PS200	15PS200	15PS200	12PJ	12PJ

FREQ_MHZ	*L106	*L107	*L108	*L111	*L112	*R101	*R102	*R103	*ML00
T3000-31X1	45H40A	35H45A	45H40A	45H40A	620NHU	330J	22J	330J	MHW607-1
T3000-32X1	45H30A	35H35A	45H35A	35H45A	620NHU	330J	22J	330J	MHW607-2
T3000-41X1	45H30A	55H25A	35H40A	35H40A	330NHU	150J	47J	150J	MHW607-3
T3000-42X1	45H30A	55H25A	35H40A	35H40A	330NHU	150J	47J	150J	MHW607-4

FREQ_MHZ	*R224
T3000-31X1	136-154 3K35
T3000-32X1	146-174 3K35
T3000-41X1	174-195 3K35
T3000-42X1	184-208 3K35

FREQ_MHZ	*C301	*C302	*C303	*C304	*C305	*C316	*C317	*C318	*C319	*C320	*C326	*C327	*C328	*C329
T3000-31X1	12PJ	12PJ	12PJ	12PJ	12PJ	15PJ	15PJ	15PJ	15PJ	15PJ	15PJ	15PJ	15PJ	15PJ
T3000-32X1	18PJ	18PJ	18PJ	18PJ	18PJ	18PJ	18PJ	18PJ	18PJ	18PJ	18PJ	18PJ	18PJ	18PJ
T3000-41X1	18PJ	18PJ	18PJ	18PJ	18PJ	18PJ	18PJ	18PJ	18PJ	18PJ	18PJ	18PJ	18PJ	18PJ
T3000-42X1	18PJ	18PJ	18PJ	18PJ	18PJ	18PJ	18PJ	18PJ	18PJ	18PJ	18PJ	18PJ	18PJ	18PJ

FREQ_MHZ	*L301	*L302	*L306	*L307	*R301
T3000-31X1	136-154 67J	620NHU	67J	67J	476S
T3000-32X1	146-174 67J	620NHU	67J	67J	476S
T3000-41X1	174-195 67J	350NHU	67J	67J	566S
T3000-42X1	184-208 67J	350NHU	67J	67J	566S

#BANDWIDTH	*C334	*C335	*C336	*C337	*C340	*C341	*C345	*C347	*C350	*C369	*C370	*C373
T3000-XX21	7, 5KHZ	10NJ	27PJ	18PJ	10NJ	10NJ	10NJ	10NJ	27PJ	9PJ	150PS	680PS
T3000-XX11	15KHZ	100PJ	27PJ	12PJ	10NJ	1PJ	10PJ	9PJ	120PS	120PS	180PS	180PS
T3000-XX31	12KHZ	10NJ	27PJ	18PJ	10NJ	5PJ	10NJ	27PJ	120PS	120PS	120PS	680PS
T3000-XX01	DUAL	10NJ	27PJ	18PJ	10NJ	10NJ	10NJ	27PJ	120PS	120PS	120PS	680PS

BANDWIDTH	*R323	*R328	*R329	*R330	*R341	*R361	*R369	*R370	*R371	*R380	*R381	*R382
T3000-XX21	7, 5KHZ	15KJ	1K0J	1K5J	10KJ	300KS	6K6S	0S	10KS1	10KJ	10KSNIC	68KS
T3000-XX11	15KHZ	10KJ	2K2J	4K7J	4K7J	560KS	4K7S	1K5S	10KS1	10KJ	10KSNIC	22KS
T3000-XX31	12KHZ	15KJ	1K0J	1K5J	6K6J	820KS	6K6S	4K7S	10KS1	10KJ	10KSNIC	47KS
T3000-XX01	DUAL	15KJ	1K0J	1K5J	4K7J	330KS	6K6S	0S	10KS1	10KJ	10KSNIC	68KS

BANDWIDTH	*L311	*L312	*L315	*XF301	*XF302
T3000-XX21	7, 5KHZ	39NHU	6U8HU	21N7.5A	21N7.5A
T3000-XX11	15KHZ	30UHU	6U8HU	21N1.5A	21N1.5A
T3000-XX31	12KHZ	620NHU	6U8HU	21N1.2A	21N1.2A
T3000-XX01	DUAL	39NHU	6U8HU	21N7.5A	21N7.5A

3C	ADDED DUAL-BAND VARIANT	MAJ
3A	93/11-563	DBH
2A	UPDATED FROM ISSUE 1	DBH
REV/ISS	AMENDMENTS	DRAWN
	D.O.	APVD
	DATE	

